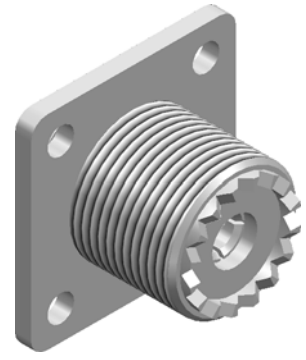
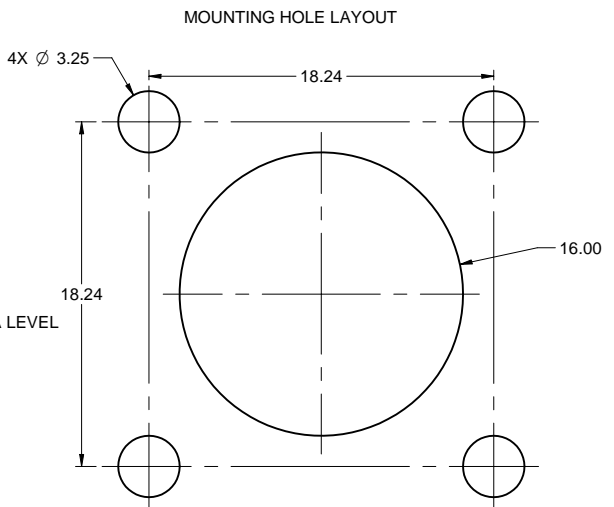
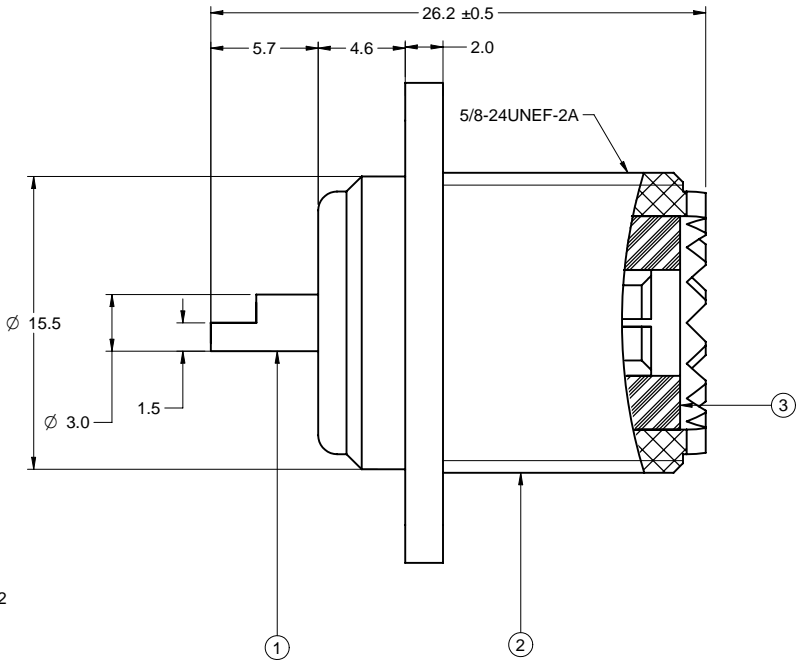
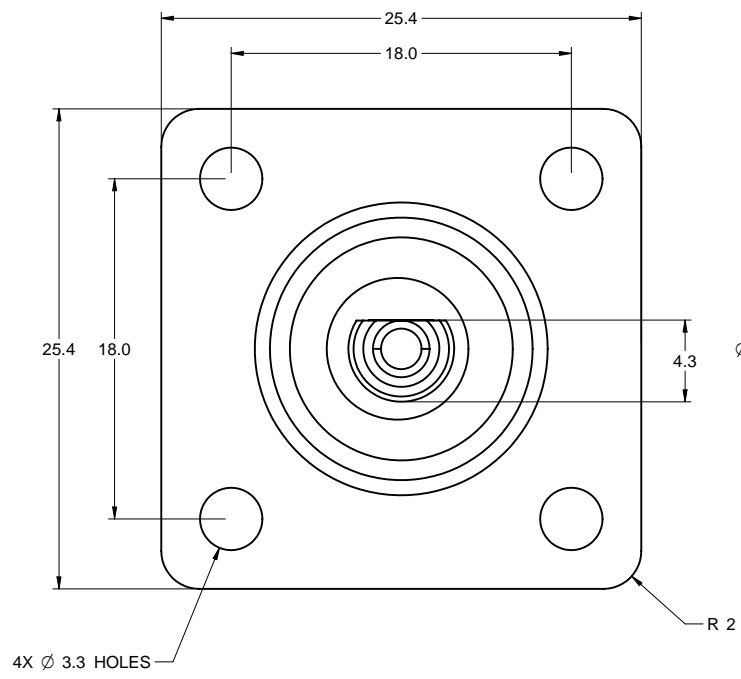


PART NUMBER	ITEM ① CONTACT	ITEM ② BODY	ITEM ③ INSULATOR
25-7350	BRONZE NICKEL PLATED	ZINC NICKEL PLATED	DELTRIN

DRAWING NO.		1	
25-7350			
REVISIONS			
A RELEASE FOR QUATION			
04-09-06	W	W	T
B ADD NOTES 4 & 5			
10-31-06	Y	L	T
C CHANGE DIM. 5.9 TO 5.7			
CHANGE OVERALL LENGTH TO 26.2±0.5			
11-29-06	Z	Y	T



- NOTES:
- ELECTRICAL SPECIFICATIONS
 IMPEDANCE: NON-CONSTANT
 FREQUENCY RANGE: 0-500 MHz
 WORKING VOLTAGE: 500 VRMS MAX AT SEA LEVEL
 DIELECTRIC WITHSTANDING VOLTAGE: 1500 VRMS MAX AT SEA LEVEL
 INSULATION RESISTANCE: 5000 MEGOHMS MINIMUM
 - MECHANICAL SPECIFICATIONS
 DURABILITY: 500 CYCLES
 - ENVIRONMENTAL SPECIFICATIONS
 RECOMMENDED TEMPERATURE RANGE: -55 °C TO +85 °C
 - PRODUCT SHOULD BE RoHS COMPLIANCE
 - PACKAGING REQUIREMENT FOLLOWS ENGINEERING DOCUMENT P/N 836-4020001XX.

THIS DRAWING TO BE INTERPRETED
 PER ANSI Y 14.5M - 1994
COMPANY CONFIDENTIAL

TOLERANCE UNLESS OTHERWISE SPECIFIED	DRAWN BY GARY.ZHG	DATE 11-29-06
DECIMALS	CHECKED BY BETTY.YU	DATE 11-29-06
X	+ 0.5	
X.X	+ 0.2	
X.XX	+ 0.1	
ANGLES	+ 0.5°	U/M

EMERSON Network Power		Connectivity Solutions	
TITLE SO-239 UHF SQUARE FLANGE MOUNT			
SHEET 1 OF 1	DRAWING NO. 25-7350	SIZE C	

THIS DRAWING WAS PRODUCED BY COMPUTER.
 DO NOT SCALE DRAWING OR UPDATE MANUALLY.